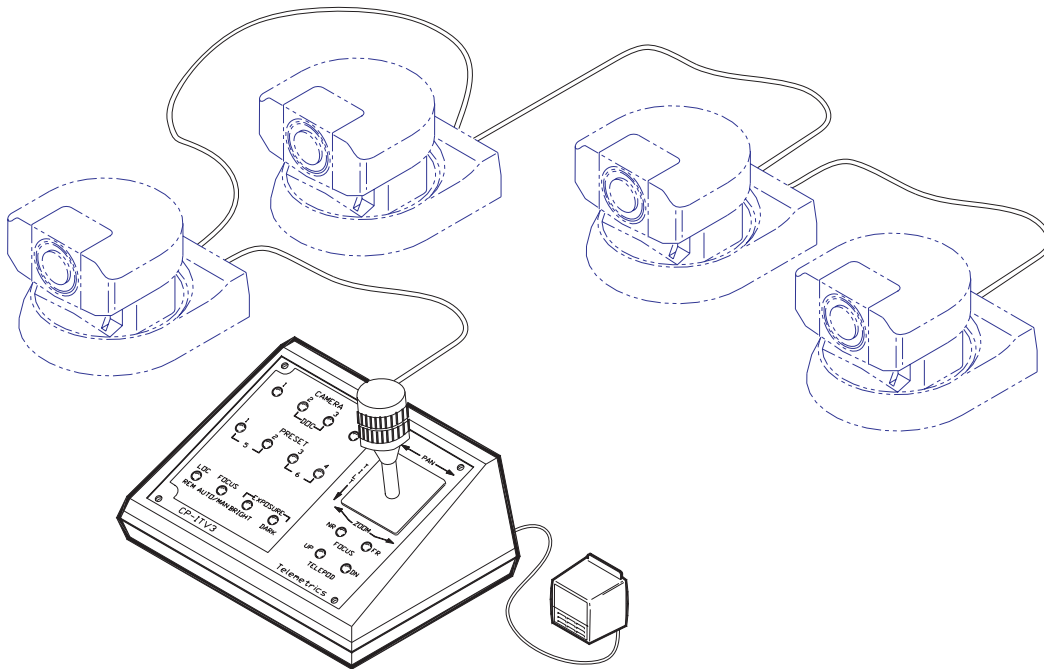


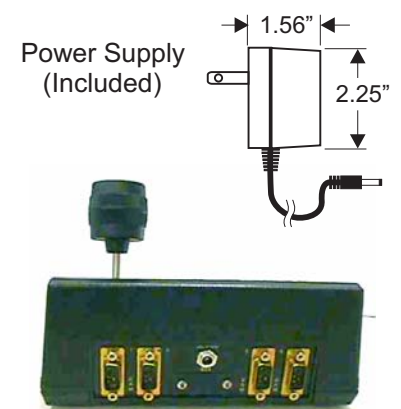
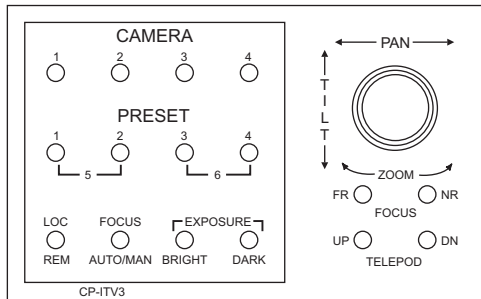
## CP-ITV-D300

### 3-Axis ITV Control Panel

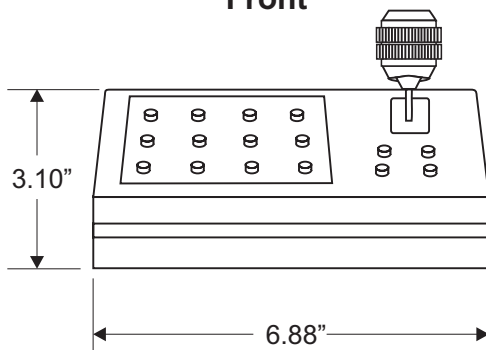


**Telemetrics Control Panel for the Sony  
EVI-D30, EVI-D70, EVI-D100, BRC-300, BRC-700 and ELMO PTC-100  
Pan/Tilt Video Cameras enhances function and value for  
Teleconferencing, Educational, and Security Applications.**

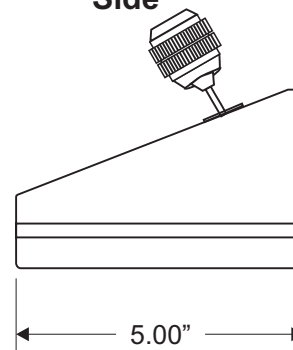
## Control Panel



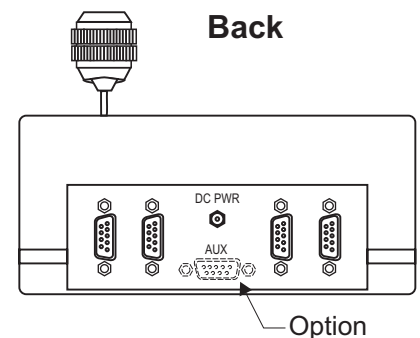
Front



Side



Back



## Description:

The Telemetrics CP-ITV-D300 is an RS-232 serial desktop control panel designed to control the Sony EVI-D30, EVI-D70, EVI-D100, BRC-300, BRC-700 and Elmo PTC-100 pan/tilt video cameras. Up to four camera systems can be connected and controlled by one control panel.

A proportional rate joystick provides smooth, simultaneous control of pan, tilt and zoom. Switches are provided to control focus and iris of the camera lens, and motorized elevating tripod - telepod. Six memorized presets, pan, tilt, zoom and focus positions, for each of the four cameras can be recalled by selector switches provided or by external contact closures (option). Interacting local and remote control panels, RS-232 interconnected, can control the cameras at either location by selecting the front panel Local/Remote switch. RS-232 addressable external video switchers are also controllable when operating camera select buttons.

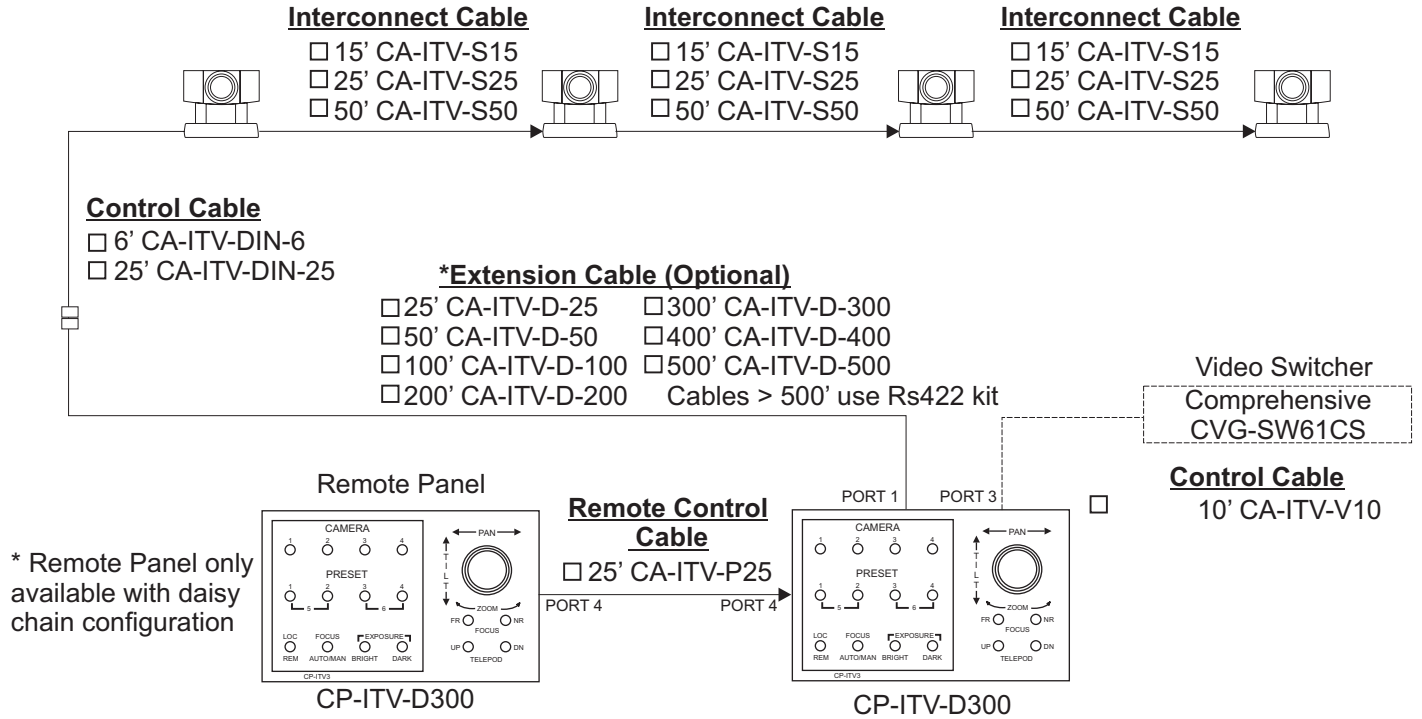
The pan/tilt video cameras may be connected using daisy chain wiring or home run wiring. Various interconnecting cable accessories are available (not included).

Other accessories include a ceiling mounting bracket (CAM-CMBKT), a wall mounting bracket (CAM-WMBKT) and a dome enclosure (CAM-CMDM).

## Functions:

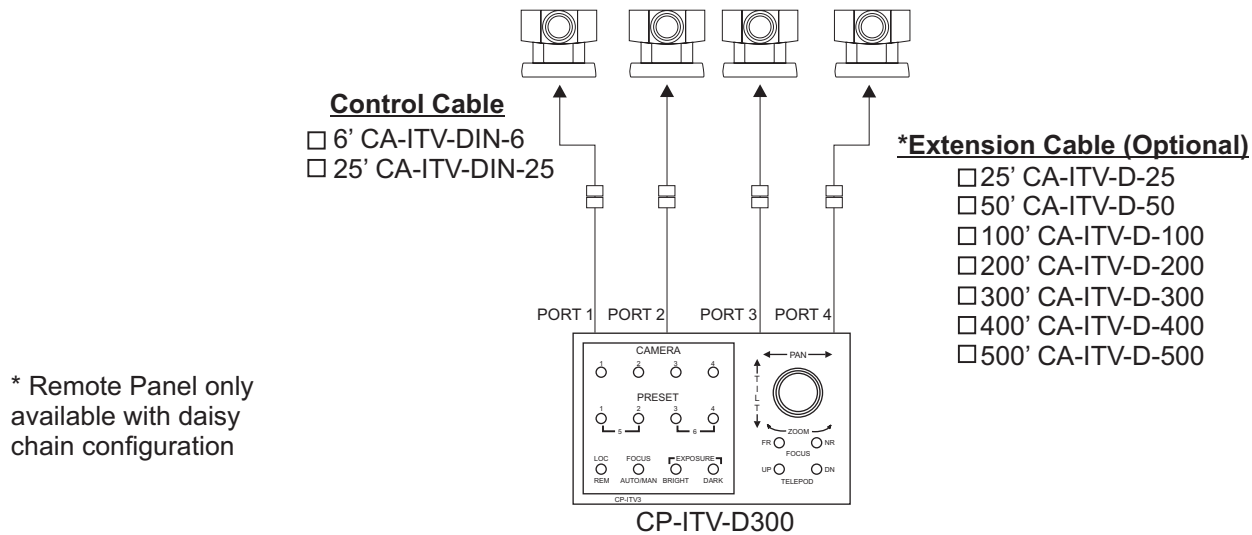
- Four Pan/Tilt Camera Select Switches
  - Six Preset Shot Switches
  - Local/Remote Select (Daisy Chain only)
  - Proportional Joystick for control of pan, tilt and zoom.
  - Lens Focus Far/Near
  - Lens Focus Auto/Man
  - Lens Iris Bright/Dark
  - Video Switcher (Daisy Chain Only)
  - Telepod Up/Down
- (Kramer 6 x 1 Switcher - CVG-SW61CS)

System with Daisy Chain Wiring



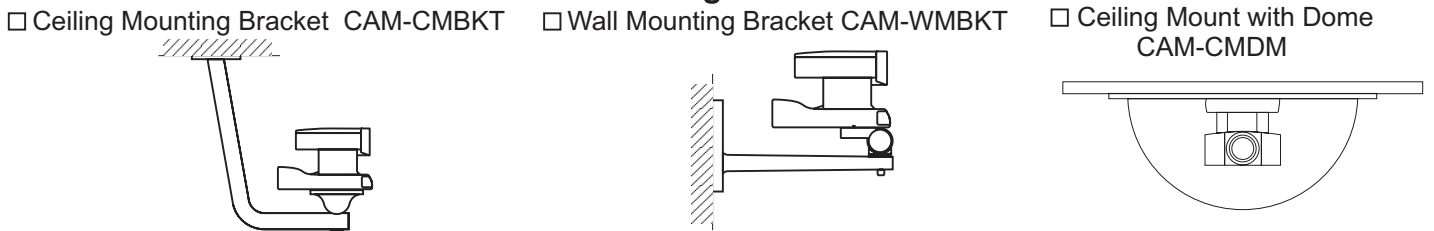
\* For Plenum cables, use part number CA-ITV-DP-XXX (where XXX=feet).

System with Home Run Wiring



\* For Plenum cables, use part number CA-ITV-DP-XXX (where XXX=feet).

Mounting Brackets



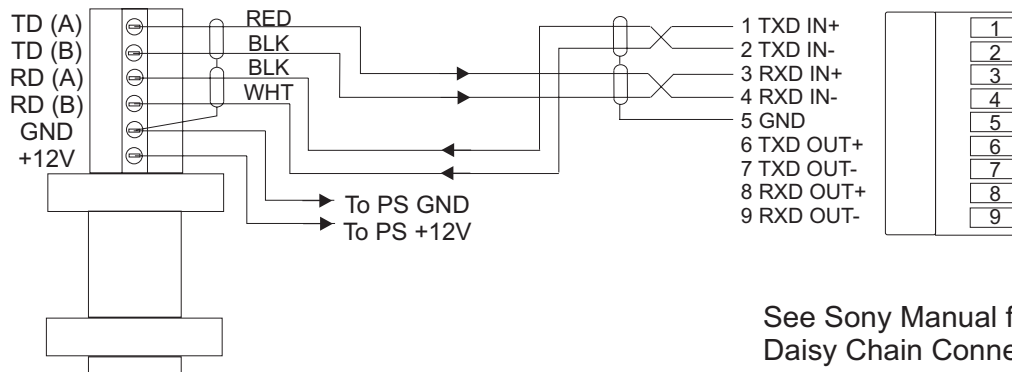
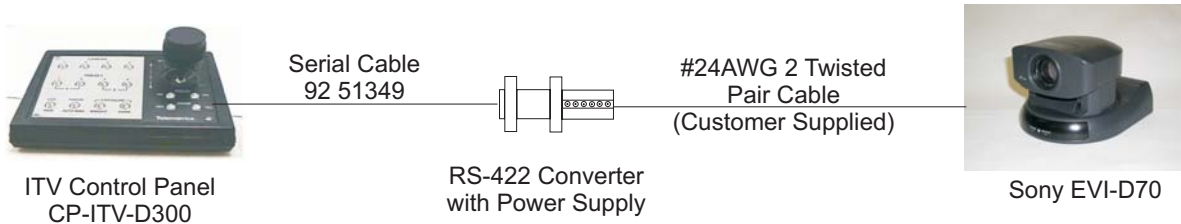
Specifications and features subject to change without notice.

**Telemetrics Inc.**

6 Leighton Place  
 Mahwah, New Jersey, U.S.A. 07430  
 Phone: (201)848-9818 Fax: (201)848-9819  
 www.telemetricsinc.com

## CP-ITV to Sony EVI-D70 RS-422 Kit (for Home Run System or the first camera in Daisy Chain Connection)

The RS-422 converter should be placed between the Telemetrics CP-ITV and the VISCA RS-422 port of a Sony EVI-D70 in Home Run Communications Mode or the first EVI-D70 in a Daisy Chain Communications Mode. The converter is powered by a 120VAC input / 9VDC output Power Supply, included with the unit. The Converter and camera are connected with a #24AWG 2 twisted pair cable.



**Note:**  
(Cable colors shown for Belden 9729  
2 twisted pair cable.)

**Material List:**

(1) RS-422 Converter (Db9 Female)	422LP9TB	B & B Electronics
(1) Power Supply	422PS2	B & B Electronics
(1) Serial Cable	9251349	Telemetrics

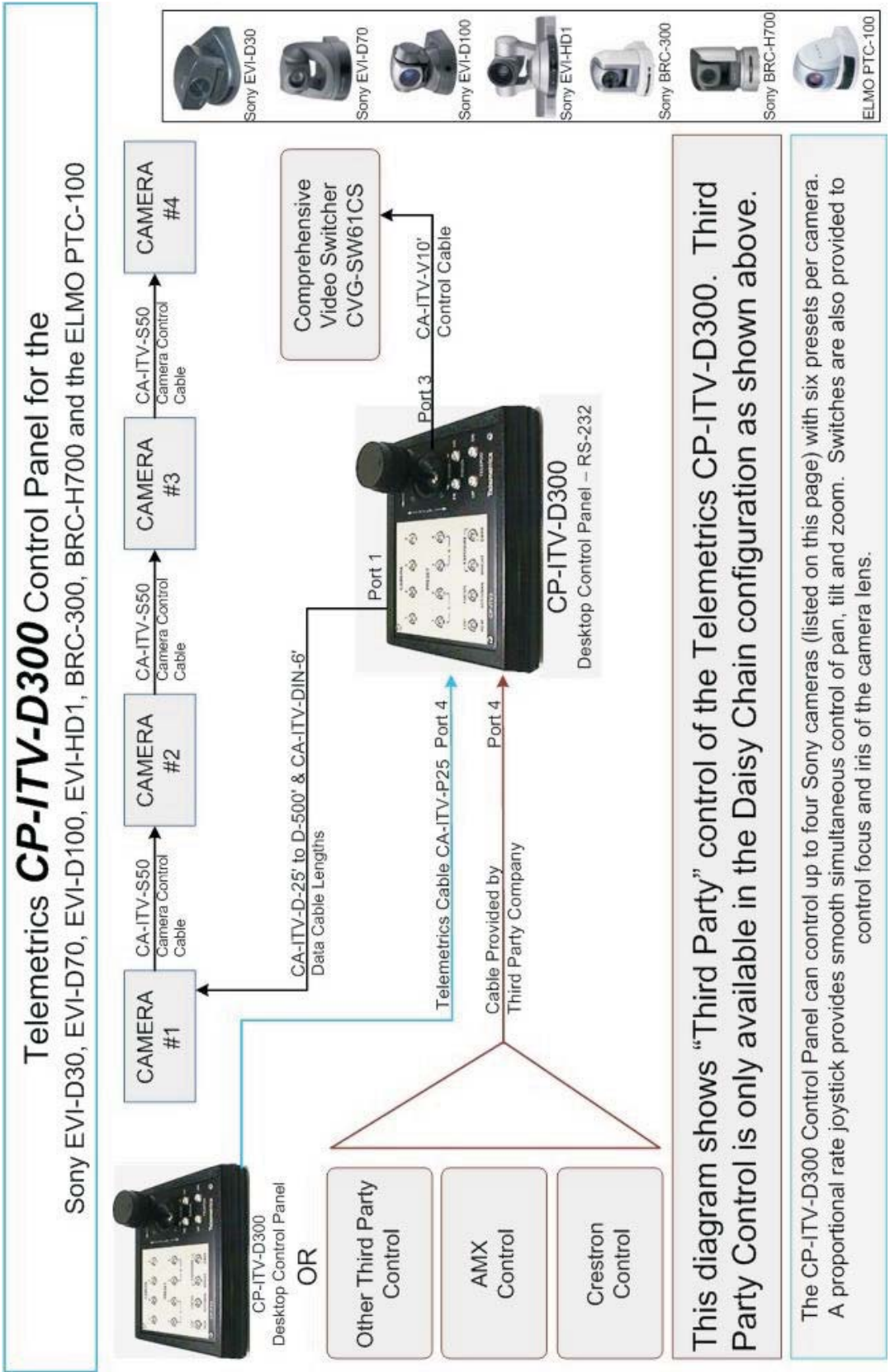
**Note:**  
**Does not work with Canon Cameras.**

Specifications and features subject to change without notice.

## Telemetrics Inc.

6 Leighton Place  
Mahwah, New Jersey, U.S.A. 07430  
Phone: (201)848-9818 Fax: (201)848-9819  
[www.telemetricinc.com](http://www.telemetricinc.com)

Telemetry engineering and design flexibility allows Third Party Control of the CP-ITV-D300



Specifications and features subject to change without notice.

**Telemetry Inc.**

6 Leighton Place  
 Mahwah, New Jersey, U.S.A. 07430  
 Phone: (201)848-9818 Fax: (201)848-9819  
 www.telemetryinc.com